

ADVANCED REFRACTION TABLE

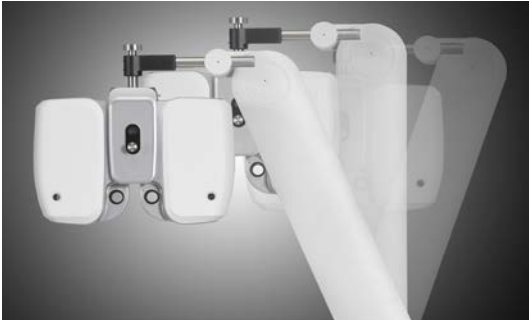
HRT-7000



+ Innovative
Unit Table
Solutions

ADVANCED REFRACTION TABLE

HRT-7000



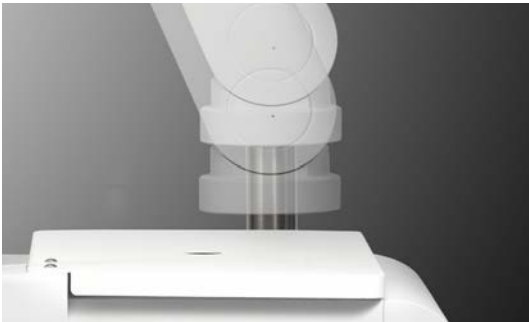
Power Arm

40 degree soft movement and up & down multi sequence adjustment will enable to accommodate any patient comfortably.



Refraction Chair

Ergonomic design guarantees the best comfort of examinees with embedded sensor to avoid the contact between examinee and table during height adjustment.(Chair is included as standard)



Up & Down Function

Up & Down feature is added in order to provide convenience for measuring position of patient's eyes.

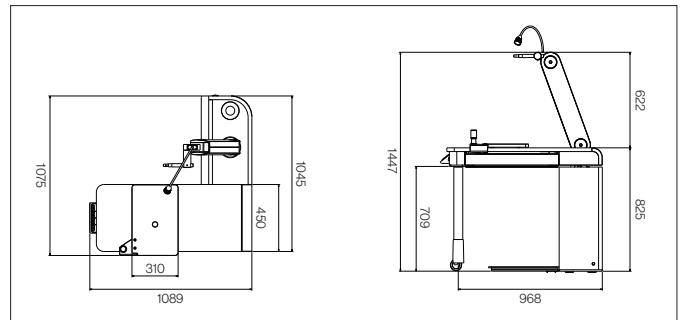
Specification

Head Stroke	400mm(R-L)
Power Arm Up-Down Range	200mm(±20mm)
Chair Up-Down Range	150mm(±10mm)
Lamp	LED Lamp 3W
Power Supply	AC 100~120/200~240V, 50/60 HZ
Power Consumption	7A/4.5A
Dimensions	1089(W) X 1045(D) X 1447(H)mm
Table Size	975(W) X 450(D) X 25(T)mm
Table Rotating Angle	90°



Keypad

Visible location of keypads enables you to control the power arm and chair precisely with ease.



Designs and details can be changed without prior notice for the purposes of improvement.



Huvitz 38, Burim-ro 170beon-gil, Dongan-gu, Anyang-si, Gyeonggi-do, 14055, Republic of Korea
Tel : +82-31-428-9100 Fax : +82-31-477-8617 <http://www.huvitz.com>

F2XXCL-21-00004, 24.06.11, RevD